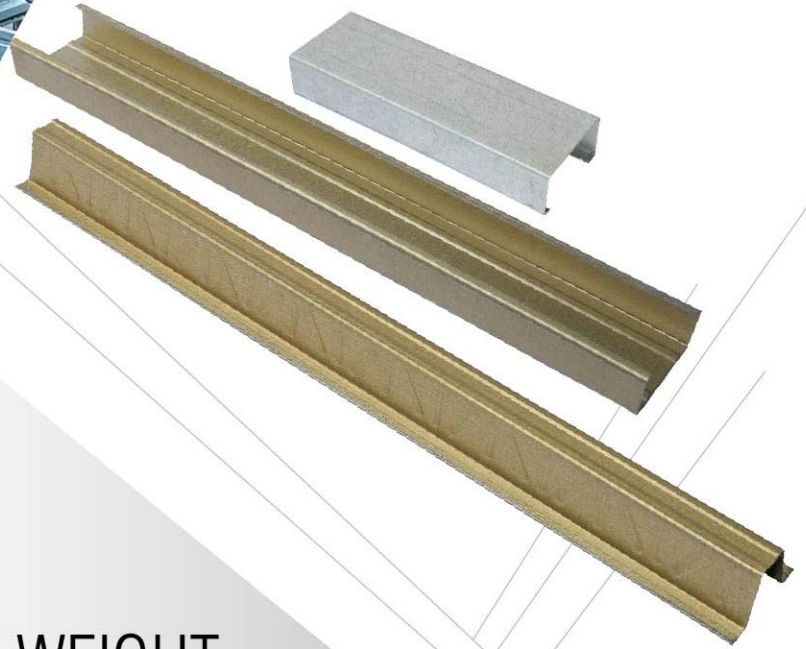


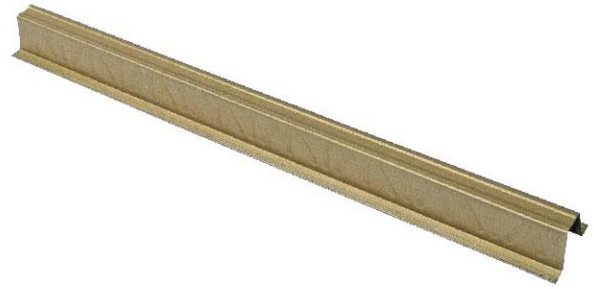
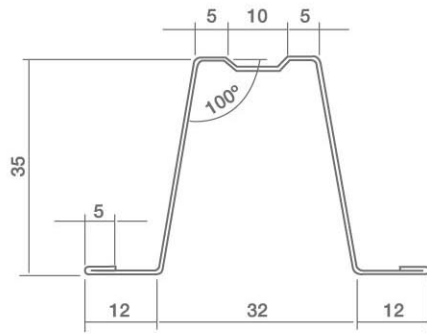
ROOFSEAL
SINCE 1990

ROOFING SOLUTIONS UNDER ONE ROOF



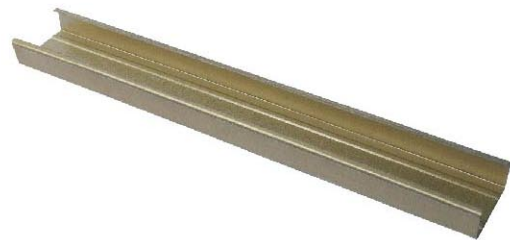
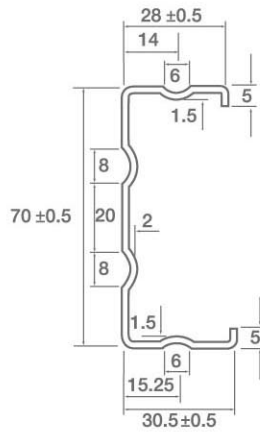
LIGHT WEIGHT
STEEL TRUSS
SYSTEM





BATTEN B35, AZ100 / AZ150

Product code	Exact Dimension					Weight (kg/m)		Area, A (mm ²)	Second moment of area (lxx) (lyy)		Radius of gyration (rxx) (ryy)		Elastic modulus (Zxx) (Zyy)		Centre of Gravity ex (mm ⁴)
	Depth, D (mm)	Flange, B1 (mm)	Base B2 (mm)	Lips, S (mm)	Thickness, TCT (mm)	AZ100	AZ150		(x10 ³ mm ⁴)	(mm)	(x10 ³ mm ³)	(mm ⁴)			
B35.45	35	20	32	12	0.45	0.392	0.417	47.66	8.63	10.86	13.46	15.10	0.48	0.36	18.60
B35.50	35	20	32	12	0.50	0.440	0.446	51.01	9.25	11.63	13.46	15.10	0.51	0.39	18.58
B35.60	35	20	32	12	0.60	0.535	0.541	62.13	11.30	14.20	13.49	15.12	0.62	0.47	18.53
B35.65	35	20	32	12	0.65	0.582	0.588	67.66	12.33	15.48	13.50	15.13	0.68	0.52	18.51



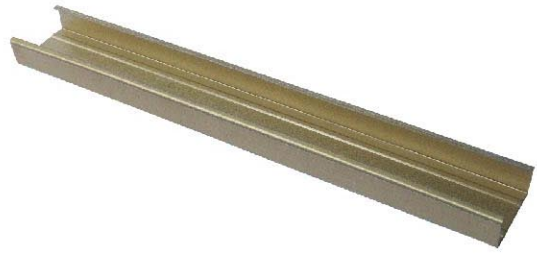
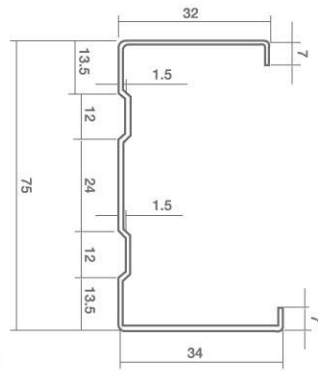
C-SECTION C70, AZ100

Product code	Exact Dimension				Weight (kg/m)	Area, A (mm ²)	Second moment of area (lxx) (lyy)		Radius of gyration (rxx) (ryy)		Elastic modulus (Zxx) (Zyy)		Torsion Constant, J (mm ⁴)	Warping Torsion, Cw (mm ⁶)	Centre of Gravity Ex (mm)
	Depth, D (mm)	Flange, B (mm)	Lips, S (mm)	Thickness, TCT (mm)			(x10 ³ mm ⁴)	(mm)	(x10 ³ mm ³)	(mm)	(mm)				
C70.65	70	30	5	0.65	0.65	81.53	63.48	9.13	27.90	10.58	1.83	0.43	9.91	8.27	18.60
C70.75	70	30	5	0.75	0.76	94.84	73.59	10.53	27.86	10.54	2.12	0.50	15.69	9.50	18.58
C70.80	70	30	5	0.80	0.81	101.46	78.59	11.22	27.83	10.51	2.27	0.54	19.27	10.10	18.53
C70.10	70	30	5	1.00	1.07	134.28	103.11	14.52	27.71	10.40	2.99	0.70	45.33	12.95	18.51

BOXED C-SECTION C70, AZ100

Product code	Exact Dimension				Weight (kg/m)	Area, A (mm ²)	Second moment of area (lxx) (lyy)		Radius of gyration (rxx) (ryy)		Elastic modulus (Zxx) (Zyy)	
	Depth, D (mm)	Flange, B (mm)	Lips, S (mm)	Thickness, TCT (mm)			(x10 ³ mm ⁴)	(mm)	(x10 ³ mm ³)	(mm ⁴)		
TB70.65	70	30	5	0.65	1.30	163.06	126.97	20.91	27.91	11.33	3.63	1.42
TB70.75	70	30	5	0.75	1.51	189.67	147.19	24.14	27.86	11.28	4.21	1.65
TB70.80	70	30	5	0.80	1.62	202.92	157.21	25.37	27.83	11.26	4.91	1.76
TB70.10	70	30	5	1.00	2.15	268.56	206.29	33.39	27.71	11.15	5.89	2.30



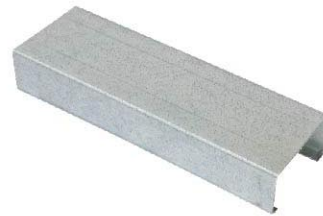
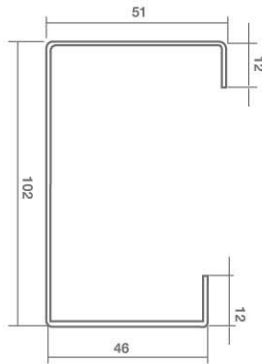


C-SECTION C75, AZ100 / AZ150

Product code	Exact Dimension				Weight (kg/m)		Area, A (mm ²)	Second moment of area (x10 ³ mm ⁴)		Radius of gyration (mm)		Elastic modulus (x10 ³ mm ³)		Torsion Constant, J (mm)	Warping Torsion, C _w (mm)	Centre of Gravity ex (mm)
	Depth, D (mm)	Flange, B (mm)	Lips, S (mm)	Thickness, TCT (mm)	AZ100	AZ150		I _{xx}	I _{yy}	r _{xx}	r _{yy}	Z _{xx}	Z _{yy}			
C75.65	75	34	7	0.65	0.73	0.74	92.93	85.05	15.10	30.25	12.75	2.29	0.63	11.28	16.43	10.62
C75.75	75	34	7	0.75	0.85	0.86	108.14	98.66	17.45	30.21	12.70	2.66	0.74	17.86	18.91	10.57
C75.80	75	34	7	0.80	0.91	0.92	115.71	105.41	18.60	30.18	12.68	2.84	0.75	21.94	20.12	10.54
C75.10	75	34	7	1.00	1.21	1.22	153.28	138.57	24.21	30.07	12.57	3.75	1.03	51.67	25.93	10.43

BOXED C-SECTION C75, AZ100 / AZ150

Product code	Exact Dimension				Weight (kg/m)		Area, A (mm ²)	Second moment of area (x10 ³ mm ⁴)		Radius of gyration (mm)		Elastic modulus (x10 ³ mm ³)	
	Depth, D (mm)	Flange, B (mm)	Lips, S (mm)	Thickness, TCT (mm)	AZ100	AZ150		I _{xx}	I _{yy}	r _{xx}	r _{yy}	Z _{xx}	Z _{yy}
TB75.65	75	34	7	0.65	1.47	1.49	185.86	170.11	38.08	30.25	14.31	4.54	2.21
TB75.75	75	34	7	0.75	-	1.73	216.27	197.36	44.05	30.21	14.27	5.26	2.57
TB75.80	75	34	7	0.80	-	1.85	231.42	210.86	47.00	30.19	14.25	5.62	2.74
TB75.10	75	34	7	1.00	-	2.45	306.56	277.21	61.37	30.07	14.15	7.39	8.61



C-SECTION C100, AZ100 / AZ150

Product code	Exact Dimension				Weight (kg/m)		Second moment of area (x10 ³ mm ⁴)		Radius of gyration (mm)		Elastic modulus (x10 ³ mm ³)	
	Depth, D (mm)	Flange, B (mm)	Lips, S (mm)	Thickness, TCT (mm)	AZ100	AZ150	I _{xx}	I _{yy}	r _{xx}	r _{yy}	Z _{xx}	Z _{yy}
C100.10	100	51	12	1.00	1.69	1.70	323.64	58.45	39.97	16.99	6.47	1.81

BOXED C-SECTION C100, AZ100 / AZ150

Product code	Exact Dimension				Weight (kg/m)		Second moment of area (x10 ³ mm ⁴)		Radius of gyration (mm)		Elastic modulus (x10 ³ mm ³)	
	Depth, D (mm)	Flange, B (mm)	Lips, S (mm)	Thickness, TCT (mm)	AZ100	AZ150	I _{xx}	I _{yy}	r _{xx}	r _{yy}	Z _{xx}	Z _{yy}
TB100.10	100	51	12	1.00	3.37	3.39	703.44	289.76	40.12	25.75	14.07	5.80

ACCESSORIES

L-Brackets



Fasteners



Sleeve Anchor

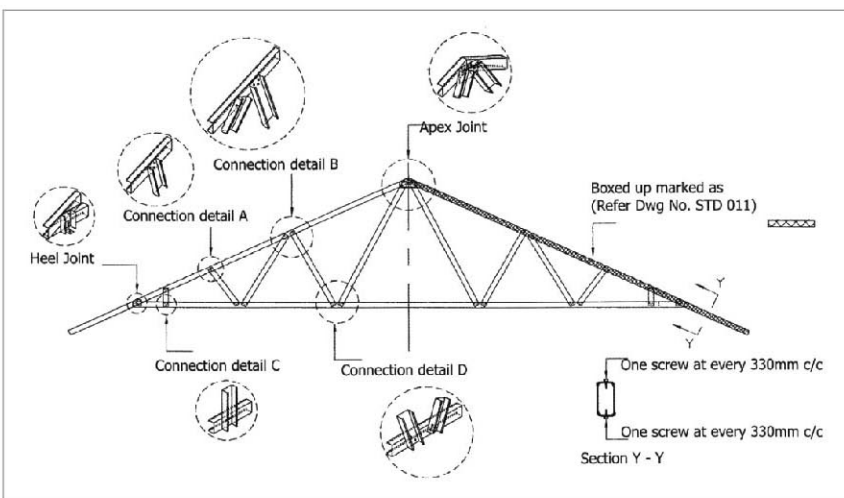




PRODUCT DESCRIPTION

- | | |
|----------------------------|---|
| — Practical installation | — Termite-proof & rust-resistant |
| — Environmental-friendly | — Non-combustible material - fire-safe |
| — Light weight and durable | — Homogeneous material - consistent quality |

TYPICAL TRUSS JOINT CONNECTION



ROOFSEAL
SINCE 1990

Head Office / Showroom
ROOFSEAL RESOURCES (M) SDN BHD (802531-A)
 No. 1 & 1-A, Jalan 1/7, Seksyen 1,
 Bandar Teknologi Kajang, 43500
 Semenyih, Selangor, Malaysia.

Web:



Tel : +(6)03 - 8723 4776 (H/Line)
 Fax : +(6)03 - 8723 4775

Email : enquiry@roofseal.com.my
 Website : www.roofseal.com.my