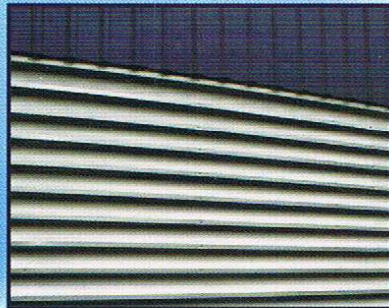
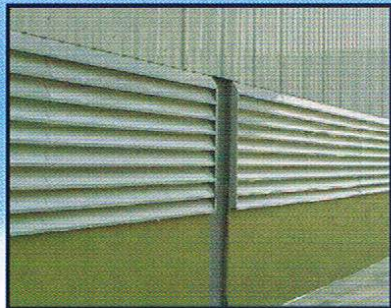




Continuous Fixed Ventilation Louvre System

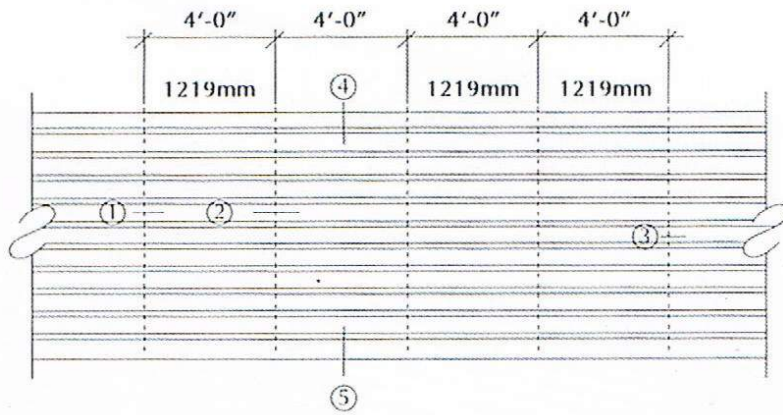


Continuous Fixed Ventilation Louvre

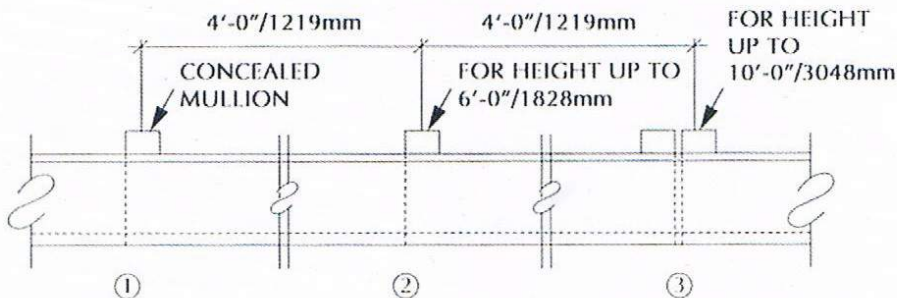
offer the following advantages:-

- Unbroken Fascia
- Concealed Mullions
- Unlimited width and height
- Complete sun protection from 8:30am to 4:30pm on east and west elevations
- Fresh air from outside

OUTSIDE ELEVATIONS



Continuous Louvre of Precoated Steel prebent to size and of ultra violet resistance quality.



* Available in: G.I. P.P.G.I, Colorbond, Stainless Steel, Zinalume, Aluminium, etc. Color of choice refer to manufacturer.

